

## 4.2 cu. ft. Compact 24" Wide Ventless Condensing Dryer

- 4.2 cu. ft. Capacity
- Ventless Condensing Dryer
- 14 Cycles / 10 Options
- Sensor Dry System
- Wrinkle Care Option
- Delicate Cycle
- NeveRust™ Stainless Steel Drum
- NFC Tag On



### COLOR AVAILABILITY

- DLEC888W (Electric) – White

### CAPACITY & MATCHING WASHER

Capacity (cu. ft.)	4.2
Matching Washer	WM1388HW

### APPEARANCE

Electronic Controls with LED Display	Yes
Touch Buttons	Yes
Dial-A-Cycle™	Yes

### DRYER CYCLES

Number of Cycles	14
Sensor Dry Cycles	Cotton, Mixed Fabric, Easy Care, Bulky Item, Jeans, Skin Care, Quick Dry
Manual Dry Cycles	Sports Wear, Delicate, Wool, Download Cycle, Cool Air, Gentle Air, Warm Air

### DRYER OPTIONS

Number of Options	10
Options	Gentle, Damp Dry Beep, More Time, Less Time, Time Delay, Custom Program Wrinkle Care, Drum Light, Child Lock, Time Dry
Temperature Settings	High, Medium High, Medium, Low, Ultra Low
Drying Levels	Very Dry, More Dry, Normal Dry, Less Dry, Damp Dry
Manual Dry Times	60 min., 20 min., More Time / Less Time

### FABRIC CARE

Steam Technology	No
Sensor Dry	Yes

### CONVENIENCE

LoDecibel™ Quiet Operation	No
Drum Light	Yes
Child Lock	Yes
FlowSense™ Duct Clogging Indicator	No
End of Cycle Signal	Yes
Remaining Time Display / Status Indicator(s)	Yes
Reversible Door	Yes
Venting Option	Ventless Design
3 Minute Installation Check	No
Leveling Legs	4 Adjustable Legs
ADA Compliant	No

### SMART FEATURES

Wi-Fi Enabled	No
ThinQ®	No
SmartDiagnosis™	Yes
NFC Tag On	Yes

### MATERIALS AND FINISHES

Drum Material	NeveRust™ Stainless Steel
Door / Rim	Glass / Chrome
Door Cover	Black Tinted Round Cover

### TECHNICAL SPECS

Electrical Requirements	240V, 30 Amp
Power Outlet Location	Within 48" of Either Side
Plug Type	4-Wire (Cord Required)
ENERGY STAR® Qualified	No
Combined Energy Factor (CEF)	Not Rated

### INCLUDED ACCESSORIES

Stacking Kit, Drain Hose

## DIMENSIONS

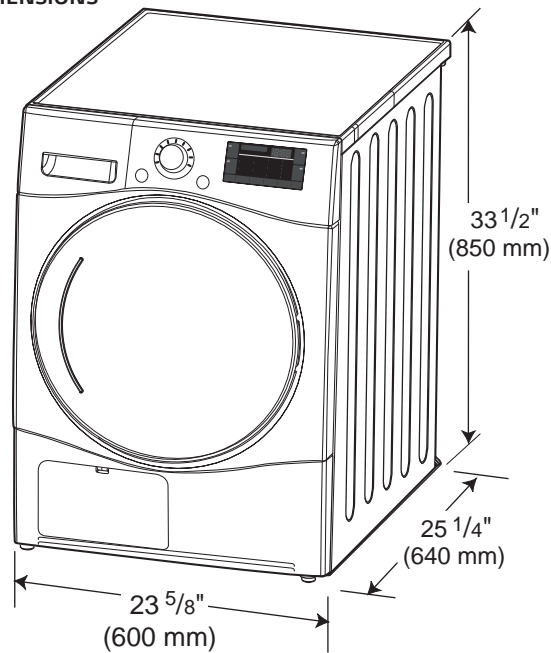
Product (W x H x D)	24" x 33 1/2" x 25 1/4"
Depth with Door Open	45"
Cutout Dimensions (W x H x D)	26" x 33 1/2" x 30 1/4"
Carton Dimensions (W x H x D)	26" x 35 3/4" x 28 1/8"
Approx. Weight (Product / Carton)	105 lbs. / 115 lbs.

## LIMITED WARRANTY

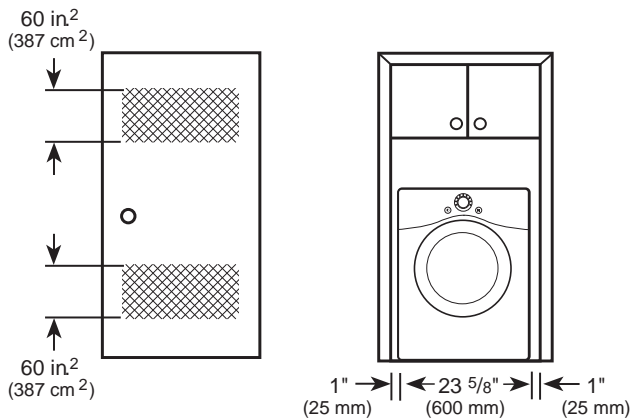
Parts and Labor	1 Year
Dryer Drum	10 Years

## DIMENSIONS / CLEARANCES

### DIMENSIONS

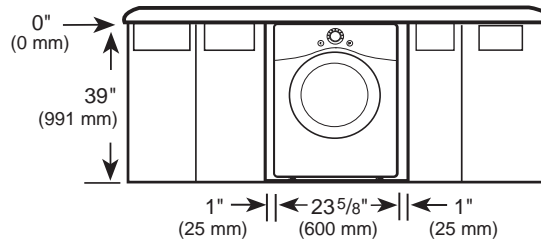


### SPACING FOR RECESSED AREA OR CLOSET INSTALLATION



#### Closet

- Closet door must have 2 (louvered) openings, each having a minimum area of 60 sq. inches (387 sq.cm), located 3 inches (8 cm) from bottom and top of door.

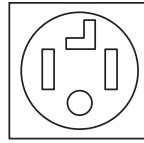


#### Alcove or Undercounter

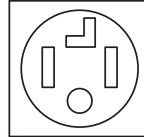
- Ensure air flow of 112 cu.ft./min. through dryer

**CONNECTING ELECTRIC DRYERS****Electrical Requirements for Electric Models Only**

- This dryer must be connected to a grounded metal, permanent wiring system, or an equipment-grounding conductor must be run with the circuit conductors and connected to the equipment-grounding terminal or lead on the dryer.
- The dryer has its own terminal block that must be connected to a separate 240 VAC, 60-Hertz, single-phase circuit, fused at 30 amperes (the circuit must be fused on both sides of the line). ELECTRICAL SERVICE FOR THE DRYER SHOULD BE OF THE MAXIMUM RATE VOLTAGE LISTED ON THE NAMEPLATE.. DO NOT CONNECT THE DRYER TO 110-, 115-, OR 120-VOLT CIRCUIT.
- If the branch circuit to dryer is 15 ft. (4.5 m) or less in length, use UL (Underwriters Laboratories) listed No.-10 AWG wire (copper wire only), or as required by local codes. If over 15 ft. (4.5 m), use UL-listed No.-8 AWG wire (copper wire only), or as required by local codes. Allow sufficient slack in wiring so the dryer can be moved from its normal location when necessary.
- The power cord (pigtail) connection between the wall receptacle and the dryer terminal block IS NOT supplied with the dryer. Type of pigtail and gauge of wire must conform to local codes

**FOUR-WIRE POWER CORD**

- A 4-wire connection is required for all mobile and manufactured home installations, as well as all new construction after January 1, 1996.
- A UL-listed strain relief is required.
- Use a 30-amp, 240-volt, 4-wire, UL-listed power cord with #10 AWG-minimum copper conductor and closed loop or forked terminals with upturned ends.

**FOUR-WIRE DIRECT WIRE**

- A 4-wire connection is required for all mobile and manufactured home installations, as well as all new construction after January 1, 1996.
- A UL-listed strain relief is required.
- Use UL-listed 4-wire #10 AWG minimum copper conductor cable. Allow at least 5 ft. (1.5 m) of wire to allow for removal and reinstallation of the dryer.